

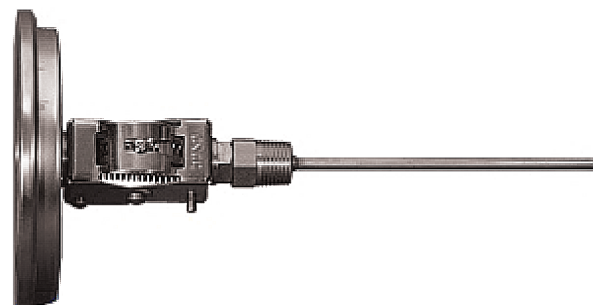


THERMOMETERS

5" BI-METAL ADJUSTABLE - SS CASE

FEATURES & APPLICATIONS:

• **Applications:** Industrial Bimetal thermometers are ideal for most rugged industrial temperature measurement application, such as in Chemical and Petrochemical, Machine & Apparatus Construction, Food & Beverage, & Pulp & Paper industries.



TECHNICAL DATA:

- CASE: SS w/Roll Ring
- WINDOW: Glass
- ACCURACY: $\pm 1.5\%$ of span
- TEMPERATURE RANGE: -40°F to 500°F
- WETTED PARTS: SS 304

BI-METAL - ADJUSTABLE SS CASE

Size	Stem Size	Temp Range	Process Connection	Part #
5"	2 1/2"	0-250°F	1/2" NPT	5250250ADJ
5"	2 1/2"	50-500°F	1/2" NPT	5500250ADJ
5"	4"	0-250°F	1/2" NPT	5250400ADJ
5"	4"	50-500°F	1/2" NPT	5500400ADJ
5"	6"	0-250°F	1/2" NPT	5250600ADJ
5"	6"	50-500°F	1/2" NPT	5500600ADJ
5"	9"	0-250°F	1/2" NPT	5250900ADJ
5"	9"	50-500°F	1/2" NPT	5500900ADJ



Information contained on this page is for general information purposes only. Seal Fast Inc. assumes no responsibility for errors or omissions for this product.